

2004-2005 Prius XM Radio Installation Instructions

By

Eddie Bell

www.metrotpn.com

Let me begin by saying this is an easy but time consuming job. Set aside a few hours of your time for the install. If you take your time, with the help of this guide you will be rewarded with a tidy XM radio install.

I have spent a good bit of time on this guide. It is my first try at creating a pdf document so there may be some errors.

I offer this guide free of charge. All I ask in return is that if you find an error, please let me know. Also if you have additions that you feel may help someone else, let me know so that I may make the changes.

Let's get started.

What you will need:

10 mm socket

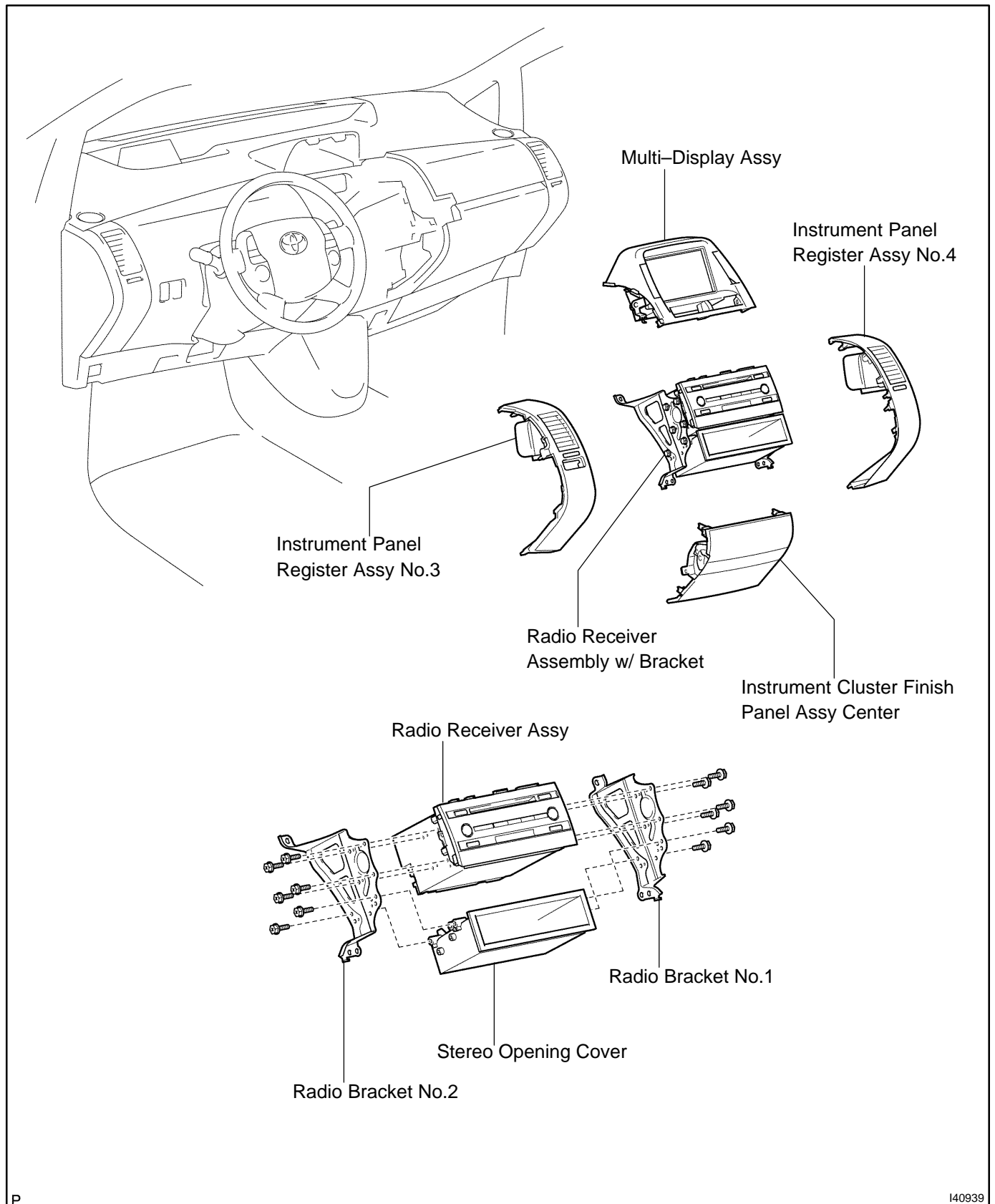
Socket wrench aka ratchet

Phillips head screwdriver (you know, the one that looks like this +)

Fish tape or coat hanger

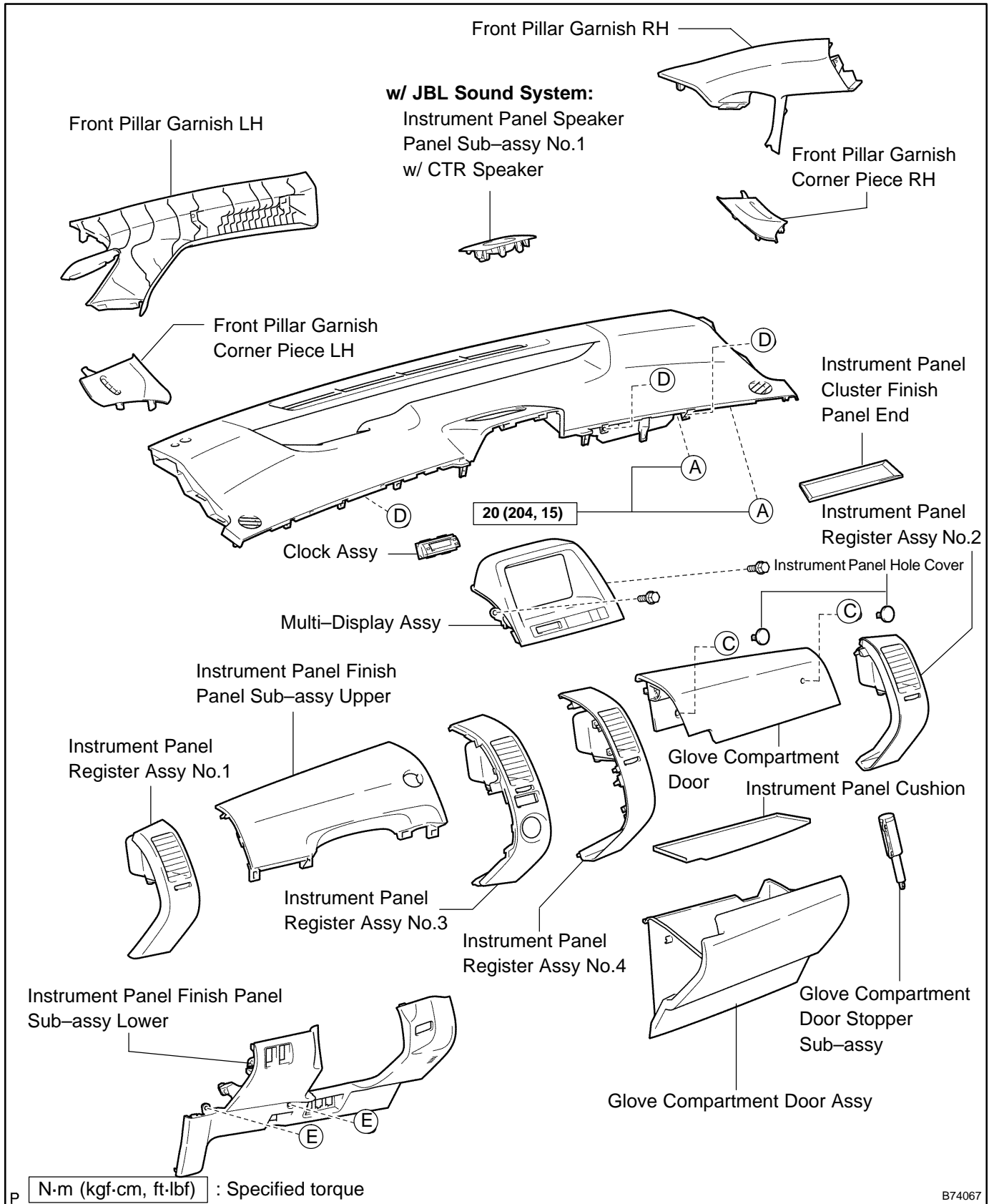
A little patience

COMPONENTS



INSTRUMENT PANEL/METER COMPONENTS

710LL-01



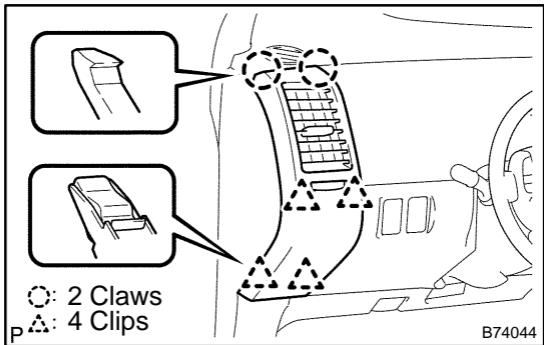
REMOVE INSTRUMENT PANEL REGISTER ASSY

NO.1

Grasp at the very top and very bottom and pull towards you.

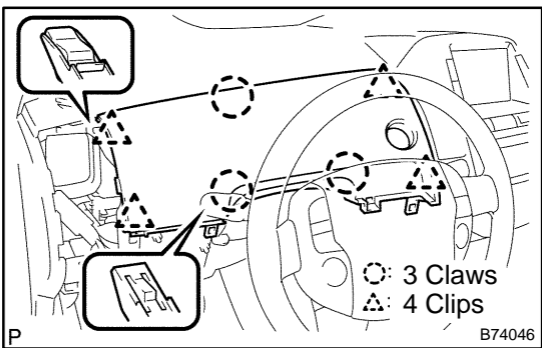
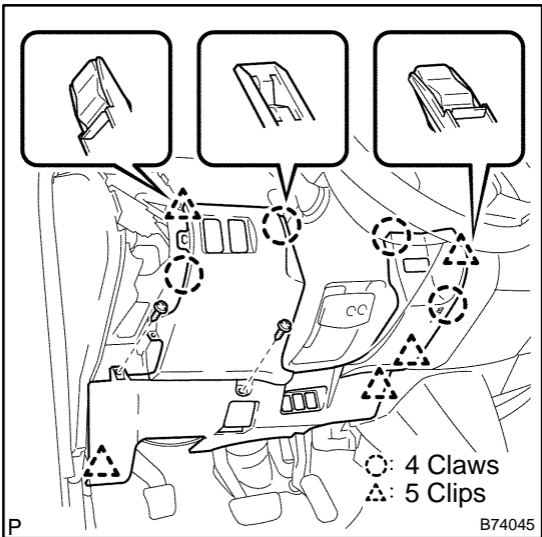
The register is held on very tightly. A flat blade screwdriver wrapped in tape comes in handy.





**REMOVE INSTRUMENT PANEL FINISH PANEL
SUB-ASSY LOWER**
Remove the 2 screws.







**The panel is held on with the same clips as the ones for the register
Grasp the panel and pop it loose.**



Do the same here. You should have your technique down pat by now.



Let panel hang loose.

**REMOVE INSTRUMENT PANEL FINISH PANEL
SUB-ASSY UPPER**

(a) Disengage the 3 claws and the 4 clips.





**Do the same here. Remember that technique that you learned?
What do you mean no.**



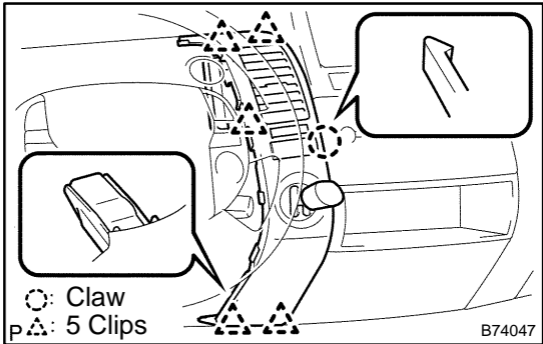
Let this panel hang loose also.

**REMOVE INSTRUMENT PANEL REGISTER ASSY
NO.3**

(a) Disengage the claw and the 5 clips.

(b) There is a small tab on the black connector. Disconnect the connector and then remove the instrument panel register assy No.3.



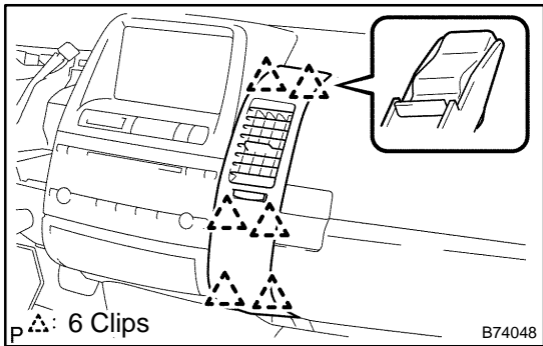




**REMOVE INSTRUMENT PANEL REGISTER ASSY
NO.4**

**(a) Disengage the 6 clips and then remove the instrument
panel register assy No.4. Might need that screwdriver again.**





**REMOVE INSTRUMENT PANEL REGISTER ASSY
NO.2**

**(a) Disengage the 2 claws and the 4 clips, and then remove
the instrument panel register assy No.2.**

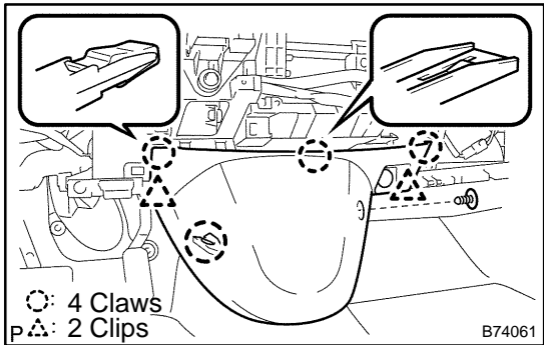


**REMOVE INSTRUMENT PANEL FINISH PANEL
LOWER CENTER**

(a) Remove the push in trim clip from the instrument panel finish panel lower center. Do like I did and get your fingers behind the panel and pull towards you. The clip will pop out.

(b) Disengage the 4 claws and the 2 clips, and then remove the instrument panel finish panel lower center.





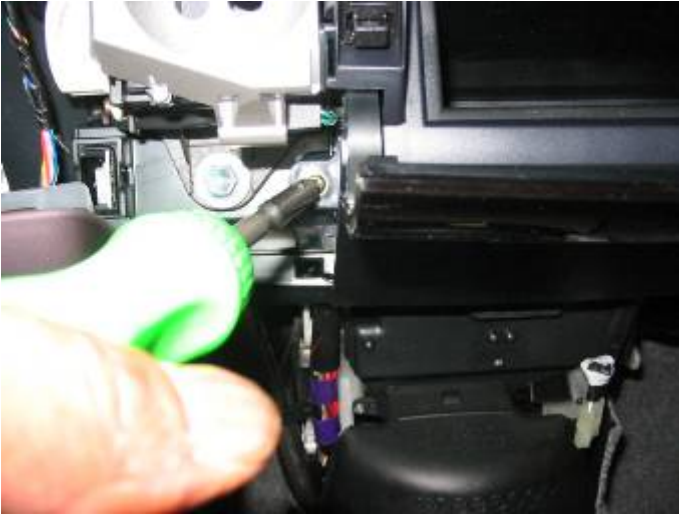


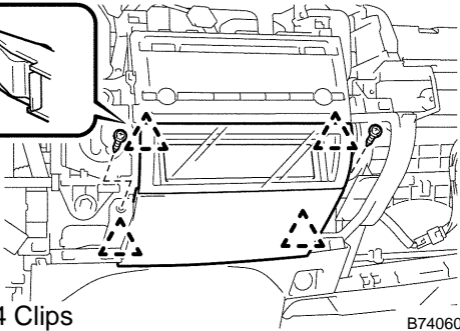
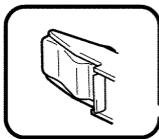
Unplug connector. Put panel aside.


**REMOVE INSTRUMENT CLUSTER FINISH PANEL
ASSY CENTER**

(a) Remove the 2 screws.

**(b) Disengage the 4 clips and then remove the instrument
cluster finish panel assy center.**





p : 4 Clips

B74060

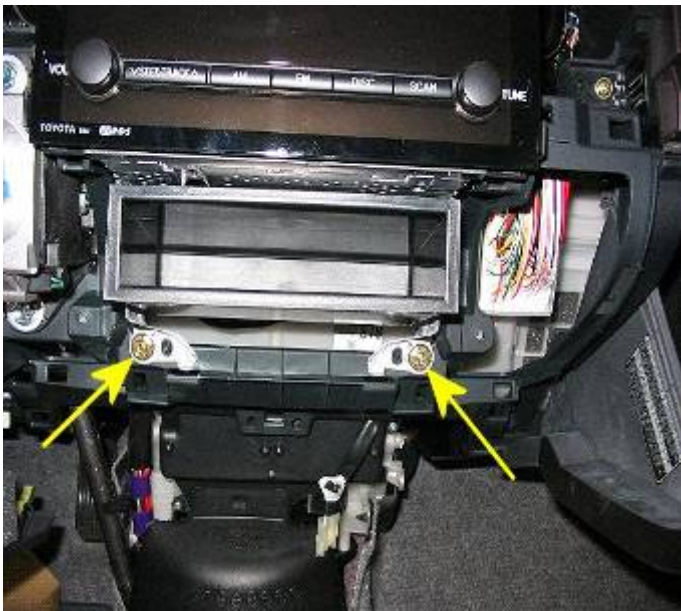
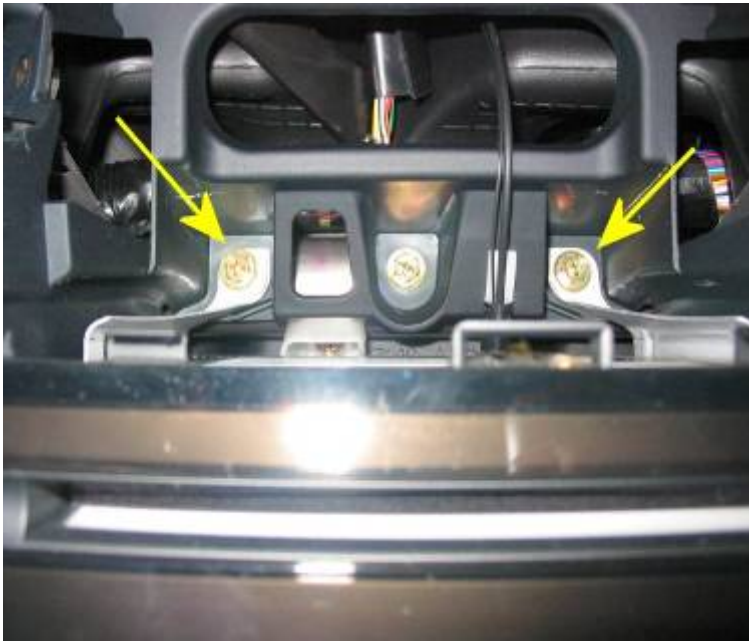
REMOVE MULTI-DISPLAY ASSY
(a) Remove the 2 bolts.



It is not necessary to disconnect the cables to the multi display. It can sit off to the side of the dash. If you feel more comfortable, you can remove the cables to facilitate removing the display from the car.



**Remove radio assembly.
Remove the 4 screws.**

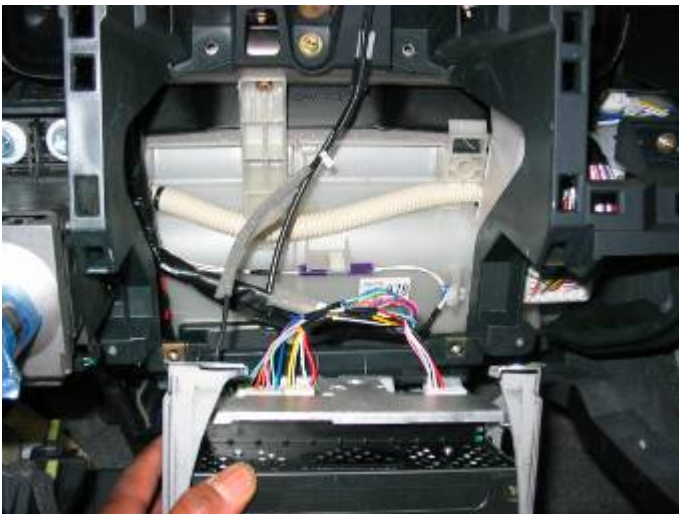




Grasp radio with both hands and pull it out of the dash.

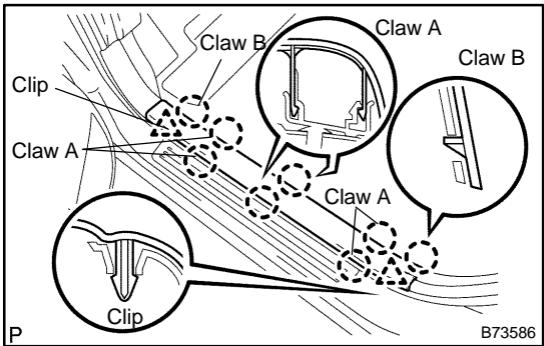


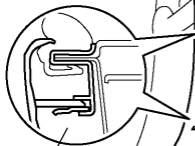
Unplug antenna cable and the remaining connectors then remove the radio.



Remove instrument panel finish panel lower, right scuff plate and right cowl side trim.







Clip



Claw

H

B73588



Take the cable from the XM radio kit foam side first and feed it behind the dash.

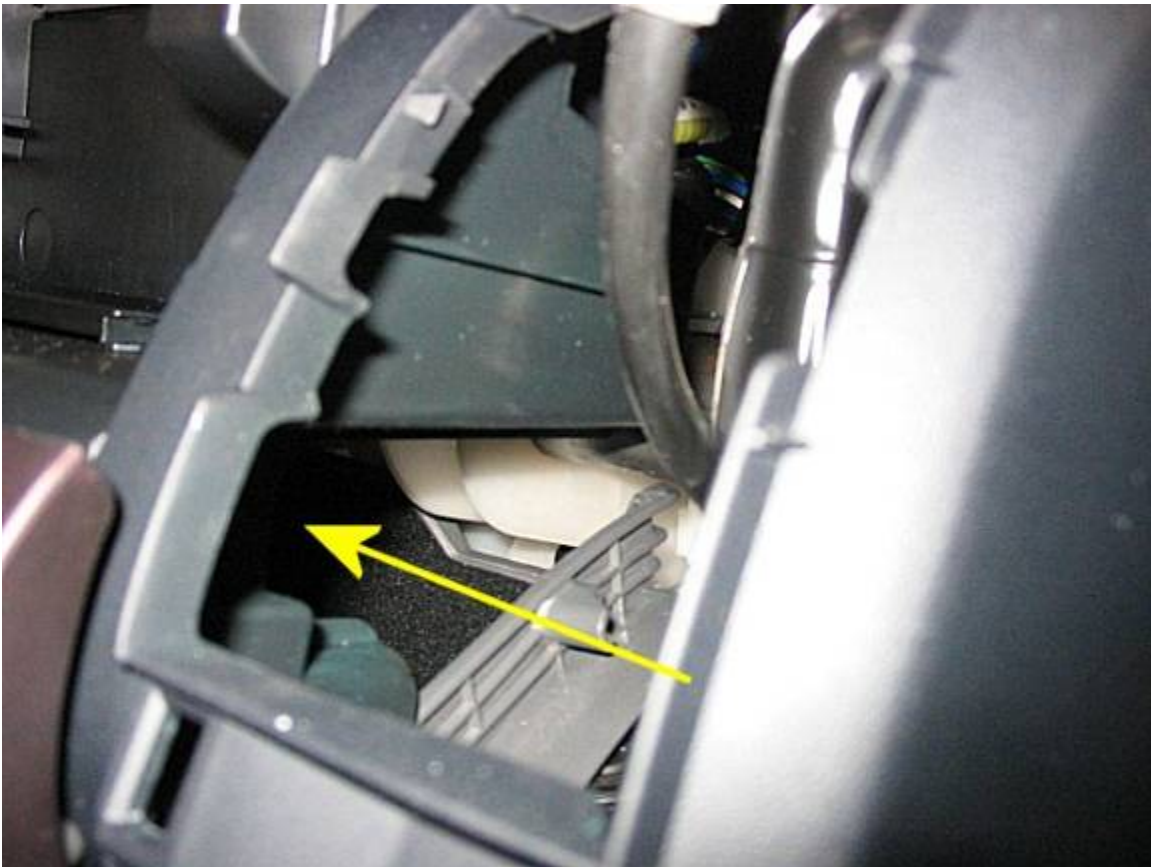




Feed the cable out of the register hole. You really only need to pull enough cable to make it to the radio assembly.



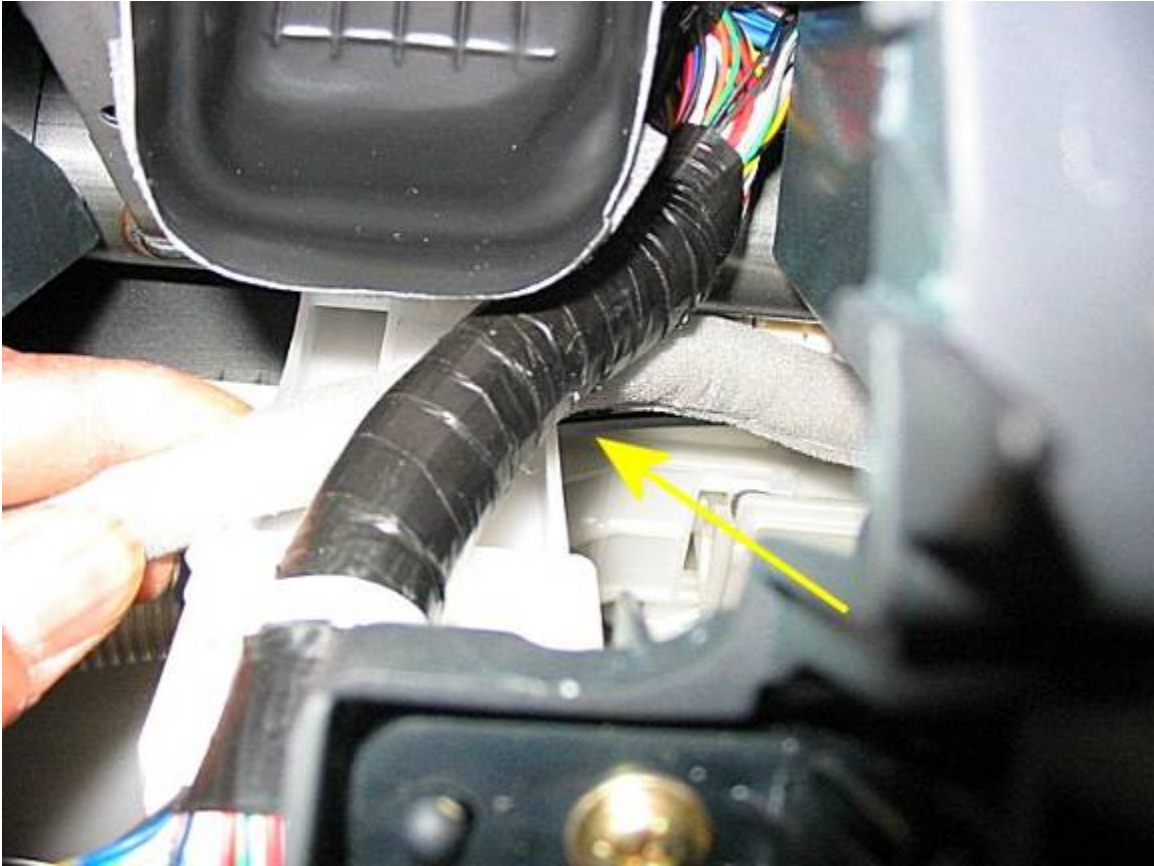
Feed the cable behind the glove box.



Open and lower the glove box, to make sure of cable placement.



Bring the cable out by the radio.



Make sure to run the XM radio cable under this bundle of wires.



Leave enough cable to plug into the radio then tie the XM cable off with one of the zip ties located in the XM radio kit.



There is a special cable tie in the kit. It has sticky tape attached to it. Put the XM cable into the tie then stick the tie to the inside of the dash by register No.4.



Be sure the cable is pulled taut. What we are trying to do is have the cable not interfere with the glove box door. Be sure to check it's operation and make adjustments to the cable as needed.



Plug the XM Radio cable into the radio. Reinstall the radio, center dash, multi display. Reinstall all dash panels and registers. Reassemble everything except the RH cowl panel and the RH front sill plate.



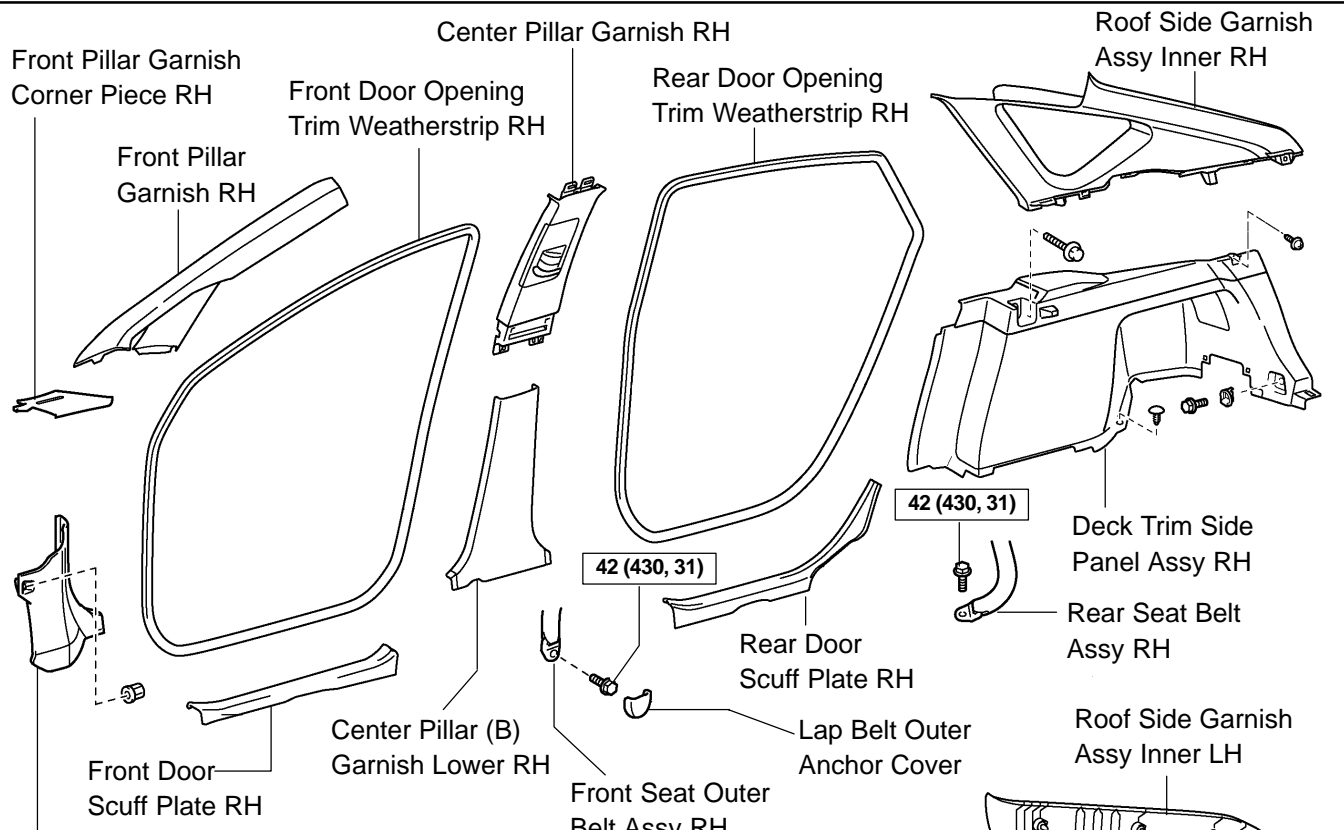
Take a quick break. Stretch your legs, have a drink. Water, beer or whatever. If it's beer, have only one.

Take your XM radio unit from the box and plug the XM cable into it. Take the antenna from the kit and plug it into the XM unit. You can temporarily place the antenna on the dash. Turn on the factory radio. Press the AM button on your radio until you see SAT 1. Tune to channel one which should show your XM radio ID. Jot down the ID. You will need this to set up your subscription once your install is complete. Once that is done, you can browse the preview channels that are available. Don't sit there too long, you have work to do

Remove the right rear sill plate.



Pull the weatherstrip away from both sides of the B pillar panel (You know, that plastic panel between the front and rear doors).





Pull the B pillar panel away from the B pillar.



Route the XM cable behind the B pillar panel.





Pull the cable out the otherside.



Here you will see that the rear seat is removed. It is not absolutely necessary but it is so easy to do and makes the install a little easier. The front of the rear seat pops into these plastic clips.



Grasps the lower front of the seat and with a quick snatching motion, pull the seat up and out of the clips.



Once the clips are disengaged, pull the seat forward and remove it from the car.



Fold down right rear seat. Remove cargo cover, spare tire cover and cargo tray. Peel back carpet (velcroed to seat back).



Remove right rear floor board panel. Remove upper panel.



Pull carpet away from the rear quarter panel. It will pop back into place perfectly when we are done.

Pull carpet away from the rear quarter panel. It will pop back into



Remove clip from carpeting located just behind the right rear seat.



Feed the XM radio cable up behind the folded rear seat on the outside of the seat belt.



Route the cable under the carpet and along the right quarter panel. A coat hanger or fish tape might come in handy here.



Pull the carpet liner out at the bottom, it's easier to see where the cable is being routed.



Pull the cable out through the hole in the carpet where the upper panel came from.



Take the XM radio unit and attach the duo lock tape from the kit to it. Plug the cable into the unit then mount the unit to the right quarter panel.



Make sure your plugs are facing down and not up when mounting. Find the flattest surface possible. There is a prime spot just above and ahead of the battery.



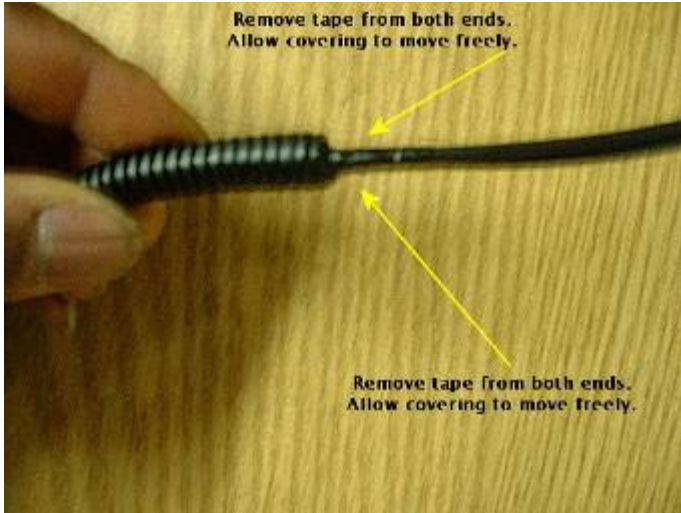
The duo-lock and XM unit will be going on the back of the exterior sheet metal (rear quarter).



Remove this bolt. Pull panel back slightly.



Take the XM radio antenna from the box. There is a black plastic sheathing tape to the antenna wire. Carefully remove the tape from both ends. Allow the sheathing to move freely on the antenna wire. You can remove the sheathing completely if you choose but it is not necessary.



Take the template for mounting the antenna out of the kit. Line the template up on the roof and mount the antenna.

The antenna has double sided tape as well as a magnet to mount it. We choose not to permanently mount the antenna. If it ever needs to be replaced, it would be very difficult to remove it from the car. It's up to you to decide.



Remove the backing from the tape on the antenna wire and stick it to the car. Be sure the area is clean.

Route antenna wire over the top of the hatch weather stripping. Make sure the sheathing is not in the way if you chose not to completely remove it.



Route the antenna wire behind the right finish panel. Plug the antenna into the XM radio unit. Test the XM radio operation once again.



Dress up your wiring and refit the panel.



Refit all of your panels. Replace the carpeting, cargo and spare tire covers. Replace the sill plates and any other items removed.





And we are done!!!

This Prius installation is my interpretation. It is by no means the only way to do the installation. I have presented this as a guide so that others may learn from it. If you feel there are errors or that additions need to be made, please contact me.